



**Power-Light Emitting Diode 大功率发光二极管**

**Part NO.:P1WLRLA01 (产品型号)**

**Features:**

**Package Dimension:**

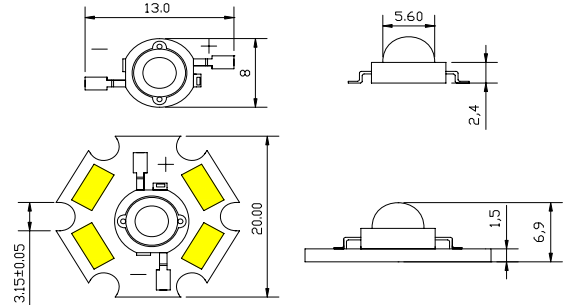
**Lens Color(胶体颜色): Water Clear(透明)**

**Source Color(发光颜色): Orange (橙色)**

**Bright BIN(亮度等级): Ultra Bright(超高亮)**

**LED Chips: OSRAM**

**Absolute Maximum Ratings at Ta=25°C**



**Electrical Optical Characteristics at Ta=25°C**

Parameter	Symbol	Rating	Units
DC Forward Current	$I_F$	350	mA
Reverse Voltage	VR	5	V
LED junction Temperature ( at 350 mA )	$T_j$	125	°C
Operating Temperature	$T_{opr}$	-30 ~ +110	°C
Storage Temperature	$T_{stg}$	-40 ~ +120	°C
Manual Soldering Time at 260°C (MAX.)	$T_{sol}$	5	Seconds
Make use of life	Hr	100000	H

Parameter	Symbol	condition	Min.	Typ.	Max.	Unit
Give out light the power	P	IF=350mA	---	1	---	W
Luminous Flux	Flux	IF=350mA	40	---	50	lm
Thermal Resistance Junction to Board	$R \theta_{J-B}$	IF=350mA	---	15	---	°C/W
Viewing Angle(发光角度)	$2 \theta_{1/2}$	IF=350mA	---	120		Deg
Spectral Line Half-Width(波长频率)	$\Delta \lambda$	IF=350mA	600	---	610	nm
Temperature Coefficient Of Forward Voltage	$\Delta V_F / \Delta T$	IF=350mA	---	-2	---	mV/°C
Forward Voltage	$V_F$	IF=350mA	2.4	---	2.6	V
Reverse Current	$I_R$	VR=-5V	---	---	10	μA